

50 GHZ BENCHTOP MEMS TUNABLE FILTER

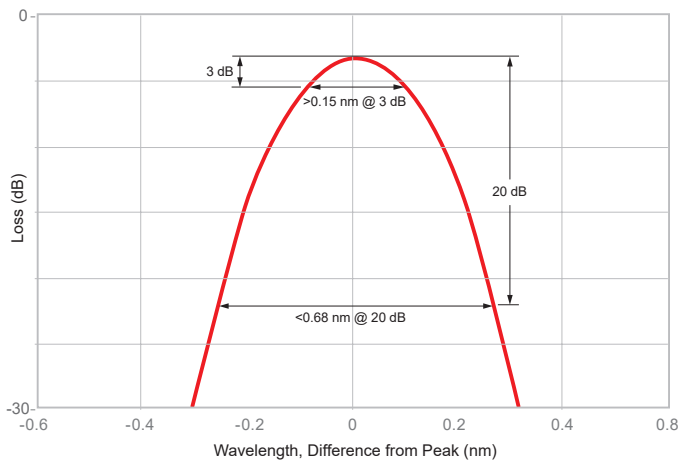


DiCon's **Benchtop MEMS Tunable Filter** is designed for ASE noise suppression and signal clean, typically for lab or production test and measurement applications.

This tunable filter operates by using a grating to de-multiplex the incoming light and then precisely directs the requested passband to the output fiber, using a patented ultra-stable and reliable MEMS mirror.

- 126 mm x 106 mm x 34 mm Benchtop Box
- RS-232 Control
- Fast Tuning Speed

OPTICAL SPECTRUM



ORDERING INFORMATION

MTFB - 0.15 - [] - 9 - [] - B - F - []

Bandwidth @ 3 dB

0.15 0.15 nm min

Tuning Range

15 1529-1564 nm

16 1575-1610 nm

**Custom Tuning Range Available Upon Request*

Fiber Type

9 9/125 μm SMF

Connector Type

FC/UPC FC/UPC

FC/APC FC/APC

**Also Available: SC/UPC, SC/APC, ST/UPC, LC/UPC, LC/APC*

Port Type

B Bulkhead Adaptors

Port Location

F Front Panel

AC Adapter Plug Type for the Included Power Supply

AU AU Type

EU EU Type

UK UK Type

US US Type

**Each unit includes a universal AC/DC Power Adapter (100-240 VAC Input / 12 VDC Output)*

50 GHZ BENCHTOP MEMS TUNABLE FILTER

OPTICAL SPECIFICATIONS¹

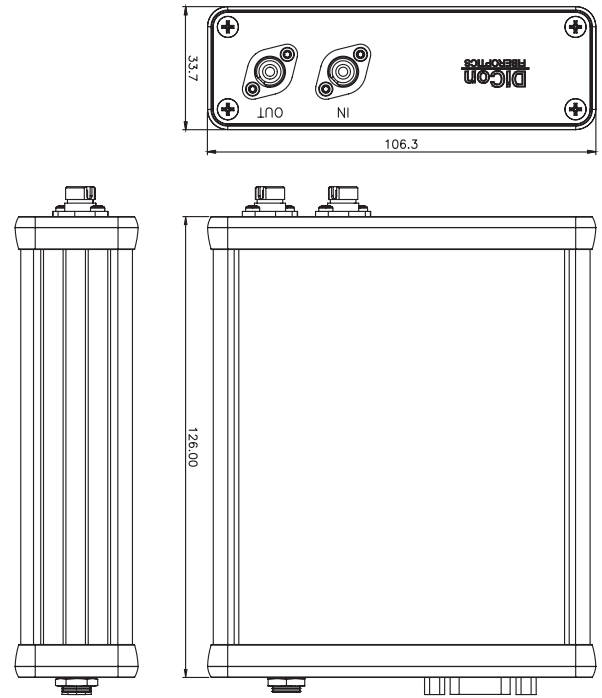
IL @ Peak ²	4.0 dB max.
Bandwidth @ 3 dB	0.15 nm min.
Bandwidth @ 20 dB	0.68 nm max.
Back Reflection	-35 dB max.
PDL	0.3 dB max.
λ Setting Error	+/- 50 pm max.
Tuning Resolution	10 pm
Tuning Speed	30 ms max.
Optical Power	500 mW max.
Durability	1 billion cycles min.
Operating Temp	-5 to 70 °C
Storage Temp	-40 to 85 °C
Fiber Type	9/125 μ m single mode

1. All specifications referenced without connectors.

2. IL measured at 25°C +/- 5°C. IL < 5.0 dB over entire operating temperature range.

MECHANICAL SPECIFICATIONS

Dimensions in mm



ELECTRICAL SPECIFICATIONS

Latching Type	Non-latching	
Control Type	RS232	
Connectors	RS232	DB9 female receptacle
	DC Power Jack	2.1 x 5.5 mm, Center Positive
AC Adapter Input	100 to 240 VAC, 50/60 Hz	
DC Supply Input	12 VDC, 0.5 A max.	

